

IM10 Series Sarix® IP Mini Indoor Fixed Dome

1.3 MEGAPIXEL HIGH DEFINITION INTEGRATED CAMERA

Product Features

- Up to 1.3 Megapixel Resolution (1280 x 1024)
- Up to 30 Images per Second (ips) at 1280 x 720
- Compact Size with 3-inch Bubble
- Auto Focus Varifocal 2.8 ~ 10 mm Megapixel Lens
- Easy Installation
- H.264 and MJPEG Compression
- Sensitivity Down to 0.12 lux
- Line-in Audio and Built-in Microphone
- Power over Ethernet (PoE), IEEE 802.3af
- Video Setup Jack Accessible with Dome Installed
- Up to 2 Simultaneous Video Streams
- Electronic PTZ Through the Web Browser
- Open IP Standards

The **Sarix® IM10 Series** is a 1.3 megapixel (MPx) network indoor fixed dome camera designed with industry-leading image quality and high performance processing power. From back box wiring to focusing the lens, the **IM10 Series** is designed to install quickly and easily.

Sarix technology defines the next generation of video security imaging performance, delivering high definition (HD) resolution, advanced low-light capabilities, consistent color science, and fast processing power. The H.264 compression video files are considerably smaller, making HD video more affordable.

Fixed Dome Camera

The **IM10 Series** contains an integrated varifocal 2.8 ~ 10 mm megapixel lens. All models include a camera in a compact indoor enclosure that is ready to install.

The **IM10 Series** supports two simultaneous video streams. The two streams can be compressed in MJPEG and H.264 formats across several resolution configurations. The streams can be configured in a variety of frame rates, bit rates, and group of pictures (GOP) structures for additional bandwidth administration.

Built-In Analytics

The **Pelco Camera Sabotage** behavior is a standard feature of the IM10 Series. This behavior detects contrast changes in the field of view. An alarm is triggered if the lens is obstructed with spray paint,



a cloth, or covered with a lens cap. Any unauthorized repositioning of the camera also triggers an alarm.

Web Interface

The **IM10 Series** uses a standard Web browser for powerful remote setup and administration.

Window Blanking

Window blanking is used to conceal user-defined privacy areas that cannot be viewed by an operator. The **IM10 Series** supports up to four blanked windows. A blanked area will appear on the screen as a solid gray window.

Video Systemization

The **IM10 Series** easily connects to Pelco IP and hybrid systems such as Endura® version 2.0 (or later) and Digital Sentry® version 4.3 (or later). The camera is also compatible with Digital Sentry NVs (DS NVs), a full-featured video management software, which is available as a free download at www.pelco.com. DS NVs includes four free Pelco IP licenses and allows for the management of video from up to 64 cameras.

The **IM10 Series** features open architecture connectivity to third-party software. Pelco offers an application programming interface (API) for interfacing with Pelco's network cameras.



by Schneider Electric



C2972 / REVISED 7-8-11

TECHNICAL SPECIFICATIONS

GENERAL

| | |
|--------------------------|--|
| Imaging Device | 1/3-inch (effective) |
| Imager Type | CMOS |
| Imager Readout | Progressive scan |
| Maximum Resolution | 1280 x 1024 |
| Signal-to-Noise Ratio | 50 dB |
| Auto Iris Lens Type | DC drive |
| Electronic Shutter Range | 1 ~ 1/100,000 sec |
| Wide Dynamic Range | 60 dB |
| White Balance Range | 2,000° to 10,000°K |
| Sensitivity | f/1.3; 2,850°K; SNR >24 dB |
| Color (1x/33 ms) | 0.5 lux |
| Color SENS (15x/500 ms) | 0.12 lux |
| Dome Attenuation | |
| Clear | Zero light loss |
| Smoked | f/1.0 light loss |
| Construction | |
| Back-box | Cast aluminum and polycarbonate plastic |
| Trim ring | Polycarbonate plastic |
| Bubble | Acrylic plastic |
| Finish | White/Black |
| Weight | |
| Unit | 0.35 kg (0.77 lb) |
| Shipping | 0.91 kg (2.00 lb) |
| Available Languages | Chinese, English, French, German, Italian, Portuguese, Russian, Spanish, and Turkish |

ELECTRICAL

| | |
|---------------------|--|
| Port | RJ-45 connector for 100Base-TX Auto MDI/MDI-X |
| Cable Type | Cat5 or better for 100Base-TX |
| Power Input | PoE (IEEE 802.3af class 2) |
| Power Consumption | <6 W |
| Current Consumption | |
| PoE | <200 mA maximum |
| Service Port | External 3-connector, 2.5 mm provides NTSC/PAL video output |
| Accessory Port | Connects Pelco accessories |
| Audio | |
| Streaming | Bidirectional: full or half duplex |
| Input/Output | Line level/external microphone input; 600-ohm differential, 1 Vp-p max signal level; built-in microphone |
| Compression | G.711 PCM 8 bit, 8 kHz mono at 64 kbit/s |

MECHANICAL

| | |
|---------------------|--------|
| Pan/Tilt Adjustment | Manual |
| Pan | 355° |
| Tilt | 180° |
| Rotate | 220° |

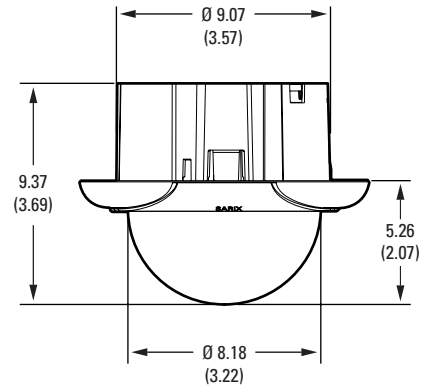
ENVIRONMENTAL

| | |
|-------------------------|---------------------------|
| Operational Temperature | 0° to 50°C (32° to 122°F) |
| Operational Humidity | 20% to 80%, noncondensing |



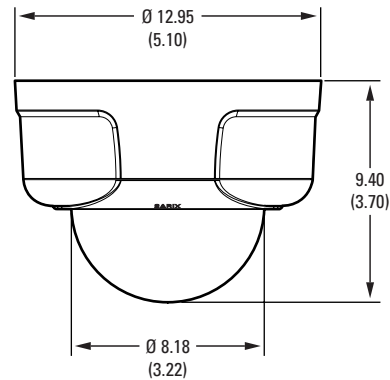
NOTE: VALUES IN PARENTHESES ARE INCHES; ALL OTHERS ARE CENTIMETERS.

IN-CEILING



SURFACE MOUNT

(Mounting Ring Included)



COMPACT SIZE. EASY TO INSTALL.

TECHNICAL SPECIFICATIONS

VIDEO

| | |
|----------------|---|
| Video Encoding | H.264 Base profile and MJPEG |
| Video Streams | Up to 2 simultaneous streams; the second stream is variable based on the setup of the primary stream |
| Frame Rate | Up to 30, 25, 24, 15, 12.5, 12, 10, 8, 7, 5, 6, 5, 4, 3, 2, 1 (dependent upon coding, resolution, and stream configuration) |

| | Resolution | | | MJPEG | | H.264 Base Profile | | |
|--|------------|-------|--------|--------------|-------------|----------------------|-------------|----------------------|
| | MPx | Width | Height | Aspect Ratio | Maximum IPS | Recommended Bit Rate | Maximum IPS | Recommended Bit Rate |
| | 1.3 | 1280 | 1024 | 5:4 | 20 ips | 10.0 Mbps | 8.0 ips | 2.5 Mbps |
| | 1.2 | 1280 | 960 | 4:3 | 20 ips | 9.8 Mbps | 8.0 ips | 2.4 Mbps |
| | 0.9 | 1280 | 720 | 16:9 | 30 ips | 10.0 Mbps | 12.5 ips | 2.5 Mbps |
| | 0.5 | 800 | 600 | 4:3 | 30 ips | 5.8 Mbps | 25 ips | 2.0 Mbps |
| | 0.3 | 640 | 480 | 4:3 | 30 ips | 3.7 Mbps | 30 ips | 1.6 Mbps |
| | 0.1 | 320 | 240 | 4:3 | 30 ips | 0.9 Mbps | 30 ips | 0.4 Mbps |

Additional Resolutions 640 x 512, 640 x 352, 480 x 368, 480 x 272, 320 x 256, and 320 x 176

Supported Protocols TCP/IP, UDP/IP (Unicast, Multicast IGMP), UPnP, DNS, DHCP, RTP, RTSP, NTP, IPv4, SNMP v2c/v3, QoS, HTTP, HTTPS, LDAP (client), SSH, SSL, SMTP, FTP, and 802.1x (EAP)

Users
Unicast Up to 20 simultaneous users depending on resolution settings (2 guaranteed streams)

Multicast Unlimited users H.264

Security Access Password protected

Software Interface Web browser view and setup

Pelco System Integration Endura 2.0 (or later) or Digital Sentry 4.3 (or later)

Open IP Integration Pelco IP camera API

Minimum System Requirements

Processor Intel® Pentium® 4 microprocessor, 1.6 GHz

Operating System Microsoft® Windows® XP, Windows Vista®, or Mac® OS X 10.4 (or later)

Memory 512 MB RAM

Network Interface Card 100 megabits, minimum

Monitor Minimum of 1024 x 768 resolution, 16- or 32-bit pixel color resolution

Web Browser* Internet Explorer® 7.0 (or later) or Mozilla® Firefox® 3.5 (or later); Internet Explorer® 8.0 (or later) is recommended for configuring analytics

Media Player† Pelco Media Player or QuickTime® 7.6.5 for Windows XP, Windows Vista, or QuickTime 7.6.4 for Mac OS X 10.4

LENS

| Field of View in Degrees | | High Resolution Streams (>800 x 600) Aspect Ratio | | |
|--------------------------|------------|---|-----|-----|
| | | 16:9 | 4:3 | 5:4 |
| 2.8 mm | Horizontal | 91 | 91 | 91 |
| | Vertical | 50 | 67 | 72 |
| 10.0 mm | Horizontal | 25 | 25 | 25 |
| | Vertical | 14 | 19 | 20 |

Note: For 800 x 600 (or lower) resolutions in 4:3 or 5:4 aspect ratios, the field of view is smaller than listed above. Refer to the installation/operation manual for details.

*Internet Explorer is not supported by Mac OS X 10.4.

†This product is not compatible with QuickTime version 7.6.4 for Windows XP or Windows Vista. If you have this version installed on your PC, you will need to upgrade to QuickTime version 7.6.5.

TECHNICAL SPECIFICATIONS

MODELS

| | |
|------------|--|
| IM10C10-1 | Sarix mini indoor fixed dome network camera, 1.3 MPx, color, 2.8 ~ 10 mm varifocal megapixel lens, white trim ring, clear dome |
| IM10C10-B1 | Sarix mini indoor fixed dome network camera, 1.3 MPx, color, 2.8 ~ 10 mm varifocal megapixel lens, black trim ring, clear dome |

CERTIFICATIONS/RATINGS/PATENTS

- CE, Class B
- FCC, Class B
- UL/cUL Listed
- C-Tick
- Patents Pending

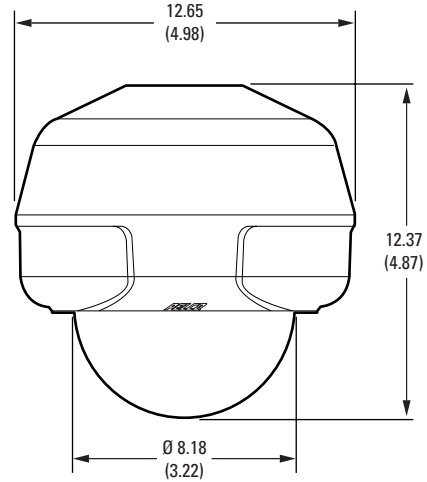
OPTIONAL ACCESSORIES

| | |
|------------|--|
| IM-PMWT | Pendant mount white |
| IM-PMBL | Pendant mount black |
| IM-WMWT | Integrated wall mount white |
| IM-WMBL | Integrated wall mount black |
| LDIM-0 | White lower dome with smoked bubble |
| LDIM-B0 | Black lower dome with smoked bubble |
| IX-SC | Service/monitor cable, 1.22 cm (4 ft); compatible with standard BNC connectors |
| POE20U560G | Single port PoE injector |
| ALM-1 | External alarm accessory |



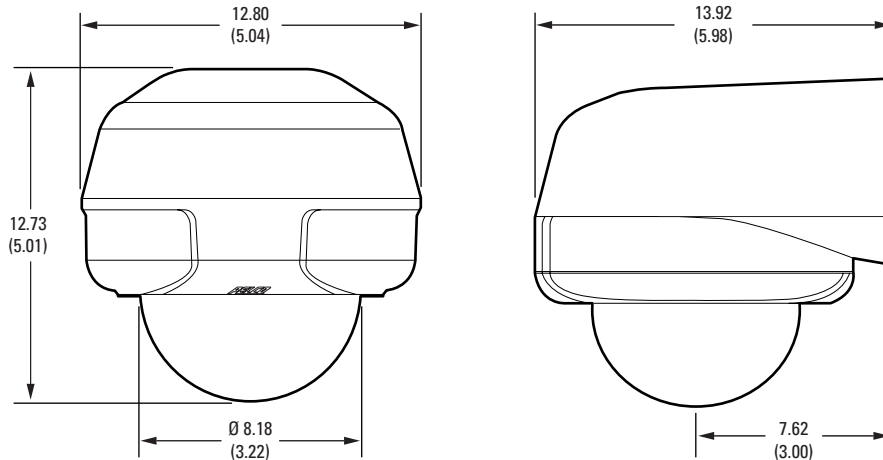
NOTE: VALUES IN PARENTHESES ARE INCHES; ALL OTHERS ARE CENTIMETERS.

PENDANT (Mount Available as Accessory)



INTEGRATED WALL MOUNT

(Available as Accessory)



Pelco by Schneider Electric

3500 Pelco Way, Clovis, California 93612-5699 United States

USA & Canada Tel (800) 289-9100 Fax (800) 289-9150

International Tel +1 (559) 292-1981 Fax +1 (559) 348-1120

www.pelco.com

Pelco, the Pelco logo, and other trademarks associated with Pelco products referred to in this publication are trademarks of Pelco, Inc. or its affiliates. All other product names and services are the property of their respective companies. Product specifications and availability are subject to change without notice.

©Copyright 2011, Pelco, Inc. All rights reserved.